

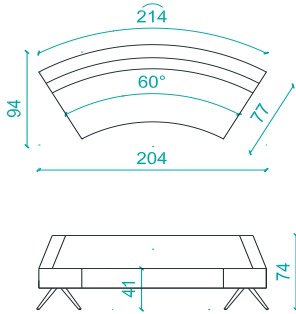
## MATERIALS

Hardwood frame with elastic column construction webbing, is covered with high quality foam of different densities. Upholstery is in a wide choice of premium fabrics, leather, vinyl or COM. Legs are chrome plated or powder coated.

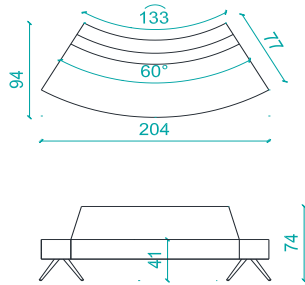
**Leg materials:** V shaped special metal legs are used with plastic glides.

**Leg finishings:** Shiny chrome / Matte chrome / Electrostatic powder coating colors

C MODULE CONCAVE 214

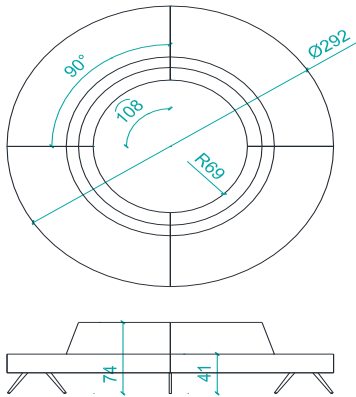


C MODULE CONVEX 133



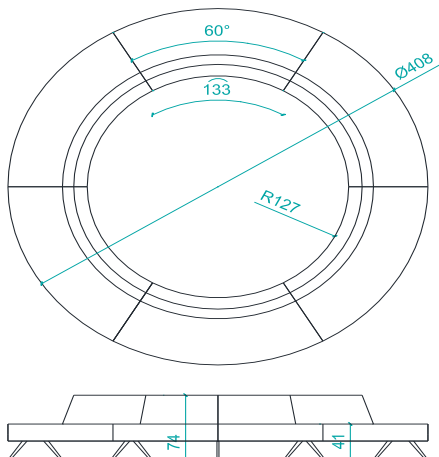
SMALL ROUND Ø292

C MODULE CONVEX 106  
4 PCS

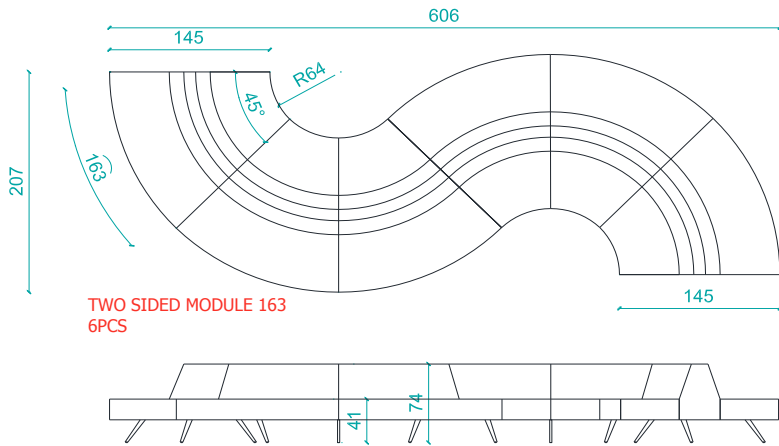


BIG ROUND Ø408

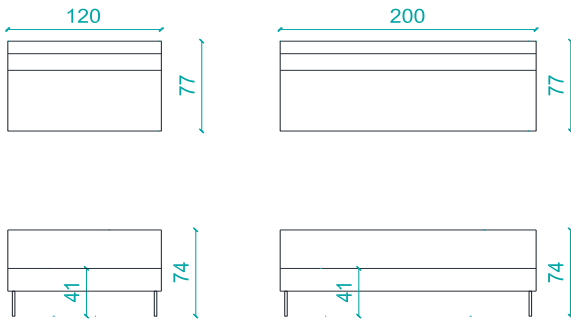
C MODULE CONVEX 133  
6PCS



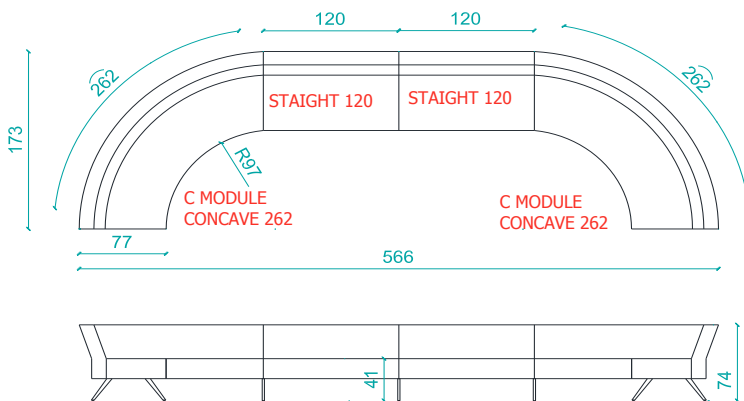
## TWO SIDED "S" SOFA



## STRAIGHT MODULES



## MIX MODULES





**SIMPLE**

*by B&T Design Team*